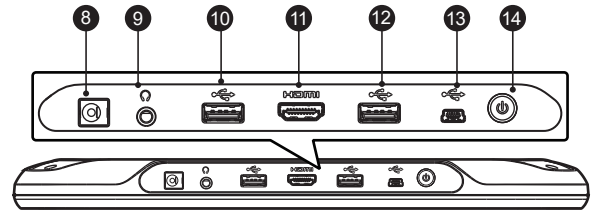
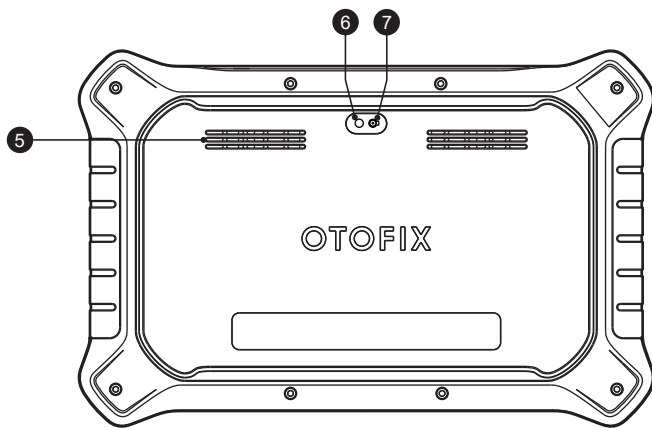
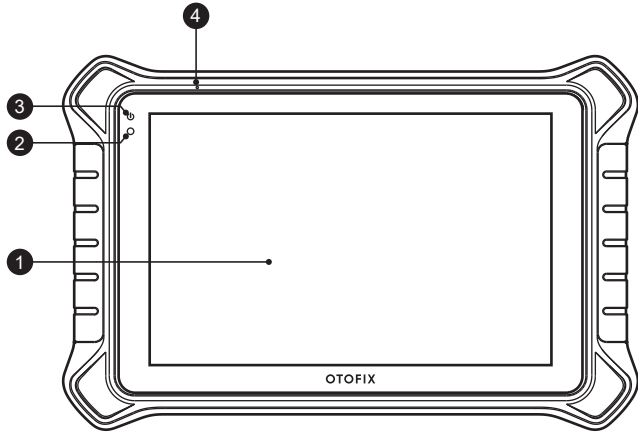


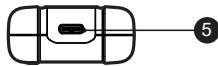
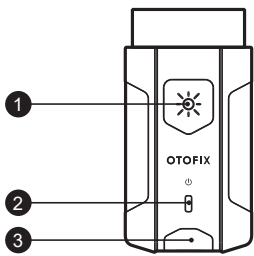
Thank you for purchasing OTOFIX D1 Pro diagnostic tool. This tool is manufactured to a high standard and will provide years of trouble-free performance when used in accordance to these instructions and properly maintained.

Functional Description



1. 10.1-inch Touchscreen
2. Ambient Light Sensor — detects ambient brightness.
3. Power LED
4. Microphone
5. Speaker
6. Camera Flash
7. Camera Lens
8. DC Power Supply Input Port
9. Headphone Jack
10. USB Port
11. HDMI (high-definition multimedia interface) Port
12. USB Port
13. Mini USB Port
14. Lock/Power Button — turns the device on & off with long press, or locks the screen with short press.

OTOFIX V1



1. Flashlight Button
2. Power LED
3. Vehicle/Connection LED
4. Vehicle Data Connector (16-pin)
5. USB Port

OTOFIX V1 Description

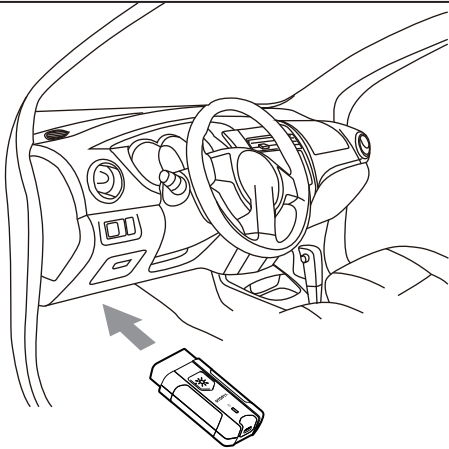
LED	Color	Description
Power LED	Yellow	VCI is powered on and performing self-check.
	Green	VCI is ready for use.
	Flashing Red	Firmware is updating.
Vehicle/Connection LED	Green	<ul style="list-style-type: none"> • Solid Green: VCI is connected via USB cable. • Flashing Green: VCI is communicating via USB cable.
	Blue	<ul style="list-style-type: none"> • Solid Blue: VCI is connected via Bluetooth. • Flashing Blue: VCI is communicating via Bluetooth.

Getting Started



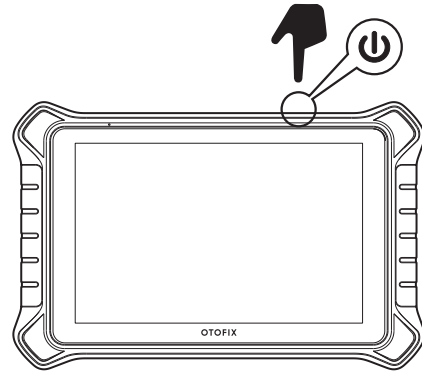
IMPORTANT: Before operating or maintaining this unit, please read the Quick Reference Guide and User Manual carefully, paying extra attention to the safety warnings and precautions. Failure to use this unit correctly may cause damage and/or personal injury and will void the product warranty.

1



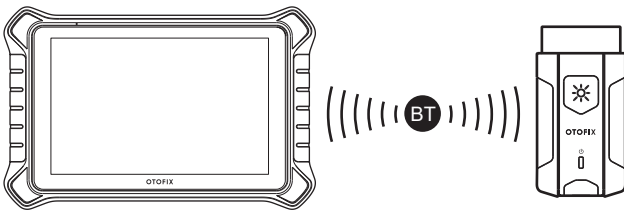
- Insert the V1 into the OBDII port, which is generally located under the vehicle dashboard.

2



- Long press the Lock/Power button to power up the diagnostic tablet. Ensure the tablet has a charged battery or is connected to the DC power supply.

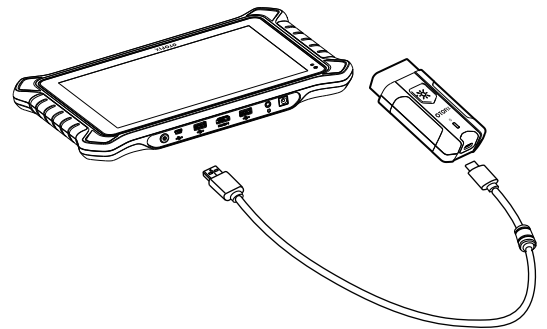
3



- Pair up the diagnostic tablet with the V1 via Bluetooth to establish a communication link.

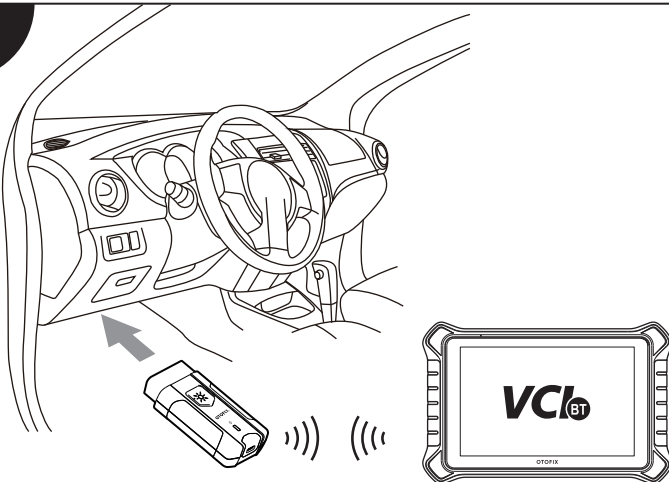
NOTE: The diagnostic tablet and the V1 are configured to automatically synchronize with each other on the initial use, therefore, the pair up is not required.

OR



- Pair up the diagnostic tablet with the V1 via USB to establish a communication link.

4



- When the V1 is properly connected to the vehicle and the diagnostic tablet, the VCI status button at the bottom bar on the screen displays a green badge. This indicates your diagnostic tablet is ready to start vehicle diagnosis.